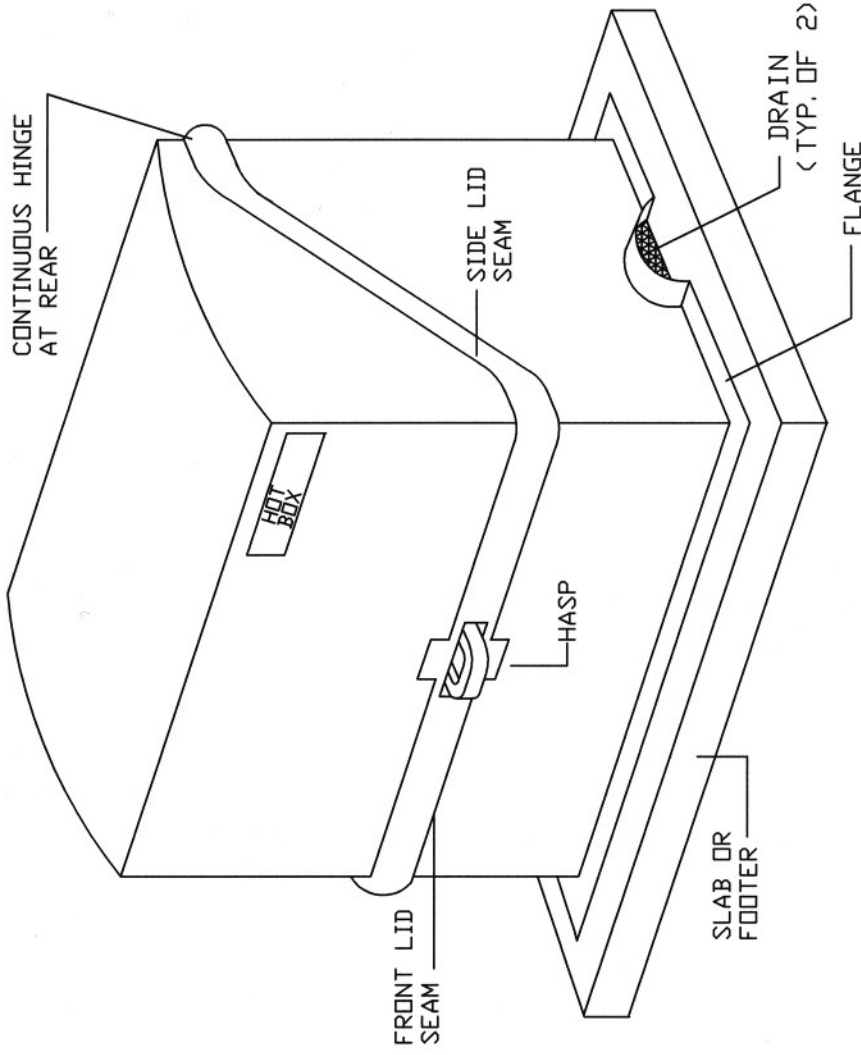
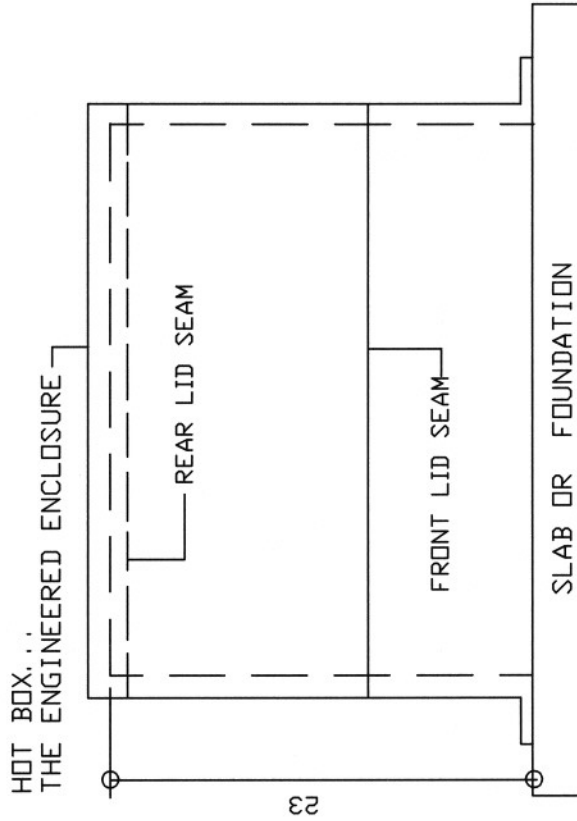
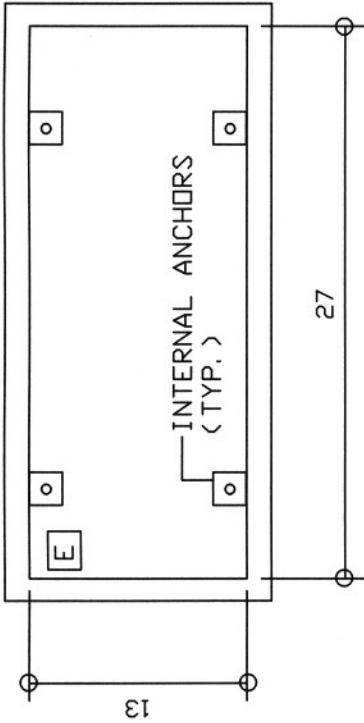


NOTE :

1. RECOMMENDED SLAB SIZE : 36"L x 22"W x 4" MINIMUM THICKNESS.
2. HEAT IS PROVIDED BY A 60W, 120V, SINGLE PHASE HEAT TRACE CABLE.
3. THE ENCLOSURE BECOMES A LB1 WHEN INSTALLED WITHOUT THE HEAT.



TITLE :

Hot Box®  
 924 LANE AVE., N.  
 JACKSONVILLE, FLORIDA 32254  
 (904) 786-0204 (800) 736-0238  
 FAX (904) 783-6965  
<http://www.hot-box.com>

STANDARD # HB1 FIBERGLASS ENCLOSURE

ENGINEER / CONTRACTOR :

LOCATION :

REV. 1 :

REV. 2 :

REV. 3 :

SCALE:

N. T. S.

REP. / DISTRIBUTOR :

QUOTE NO.:

RESTRICTED DRAWING.  
 PATENT # 4,726,394.

BY/DATE/DWG:

SBT / 7-19-99  
 HB1

APPROVED/DATE :